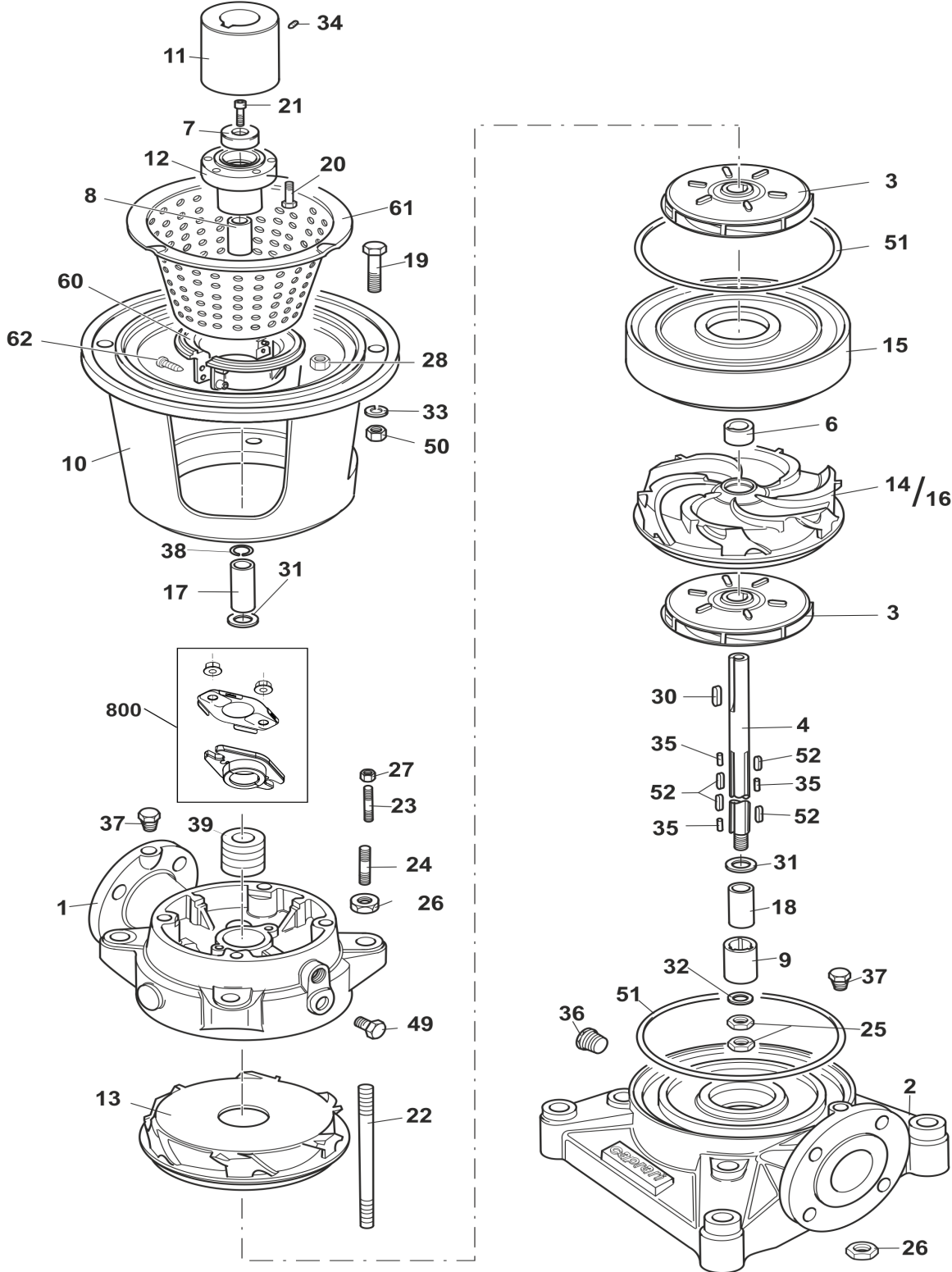


CAPRARI SpA

41123 MODENA (ITALY) - VIA EMILIA OVEST, 900
 Tel. +39 059897611 - Fax +39 059 897897
 email: info@caprari.it - www.caprari.com



670546 - HVU50 / 3A MULTISTAGE VERTICAL WET END



34B

COMPONENTS LIST

Pos.	Coded	Serial N °	Description	Qty
1	400171	HM50-1	DELIVERY CASING	1 PZ

2	400453	HV50-1003	SUCTION COVER	1 PZ
3	401484	HMXI50-2-5A	IMPELLER D.182	3 PZ
4	510895	HV50 / 3-7	PUMP SHAFT L.430.8	1 PZ
5	410619	HM50-8	STUFFING BOX	1 PZ
6	410701	HM50-10	SPACER SLEEVE	2 PZ
7	410770	E30F-11	SPACER SLEEVE	1 PZ
8	410737	HV50-11	SPACER SLEEVE	1 PZ
9	410847	E8C-17	BEARING BUSH	1 PZ
10	420275	HV50 / 50-32	LANTERN BRACKET	1 PZ
11	430149	HV50 / 55-61	FLANGE COUPLING	1 PZ
12	430220	HV50-64	COUPLING BOX	1 PZ
13	400962	HMU50-2A-73	DISTRIBUTE	1 PZ
14	400961	HMU50-2-73	DISTRIBUTE	2 PZ
15	430481	HM50-2-74	CASING STAGE	2 PZ
17	450543	HV50-220	SHAFT SPACER SLEEVE	1 PZ
18	450547	E8-220	SHAFT SPACER SLEEVE	1 PZ
19	300114	VTE01960	SCREW M16X55 UNI5739 / DIN933-8.8-F.ZN 3 II	4 PZ
20	300062	MTB01085	SCREW M8X30 UNI5931 / DIN912-8.8	6 PZ
21	300225	MTB02000	SCREW M8X20 UNI5931 / DIN912-8.8-F.ZN 3 II	1 PZ
22	300652	PS01737	SPECIAL STUD M22X294 (TO DRAW)	4 PZ
23	300393	PN02006	STUD M10 (6G / 6G) X45 UNI5909 / DIN938	2 PZ
24	300367	PN0722	STUD M16 (6G / 6G) X35 UNI5909 / DIN938-5.8	4 PZ
25	310039	DS01689	NON-STANDART NUT M18X1,5X9 (TO DRAW)	2 PZ
26	310041	DN01735	NUT M22 UNI5588 / DIN934-6S	8 PZ
27	310201	DN01374	NUT M10 UNI5588 / DIN934-A2	2 PZ
28	310031	DN0724	NUT M16 UNI5588 / DIN934-6S	4 PZ
30	310440	LCH01567	FEATHER KEY A8X7X45 UNI6604-C50	1 PZ
31	310347	RLS01733	WASHER 28X40X2 DIN988 SEEGER TYPE SS-F.ZN 3 II	2 PZ
32	310279	RLS01963	WASHER 18,5X33,5X5,5 (TO DRAW)	1 PZ
33	300888	RE01624	SPRING WASHER A 16 UNI1751-C70-ZN	4 PZ
34	300799	GC01871	DOWEL M12X18 UNI5927 / DIN914-12.9 BRAKE	1 PZ
35	300700	GC01742	PIN 3,5X16 (TO DRAW)	4 PZ
36	310733	TF01543	PLUG 1 "GAS (TO DRAW)	1 PZ
37	310714	TF01304	PLUG 3/8 "GAS CONICAL (AFL N.290 / 292)	2 PZ
38	330410	OR01734	OR SEAL 26.70X1.78 OR2106 (AP)	1 PZ
39	330326	TG0463	PACKING 35X55X10 (TO DRAW)	4 PZ
49	310732	TF01541	1/2 "GAS CONICAL PLUG (AFL N.292)	1 PZ
50	310032	DN01208	NUT M16 UNI5588 / DIN934-6S-F.ZN 3 II	4 PZ
51	330459	OR0982	OR SEAL 240.9X3.53 OR4950 (AP)	3 PZ
52	310992	LCH01990	FEATHER KEY A4X4X30 UNI6604-C50	6 PZ
60	460135	HV50-240	PTO SHAFT GUARD	2 PZ
61	460132	HV50 / 50-240	PTO SHAFT GUARD	1 PZ
62	300189	MTB01538	SCREW AB 3,5X13 UNI6954-STEEL	2 PZ