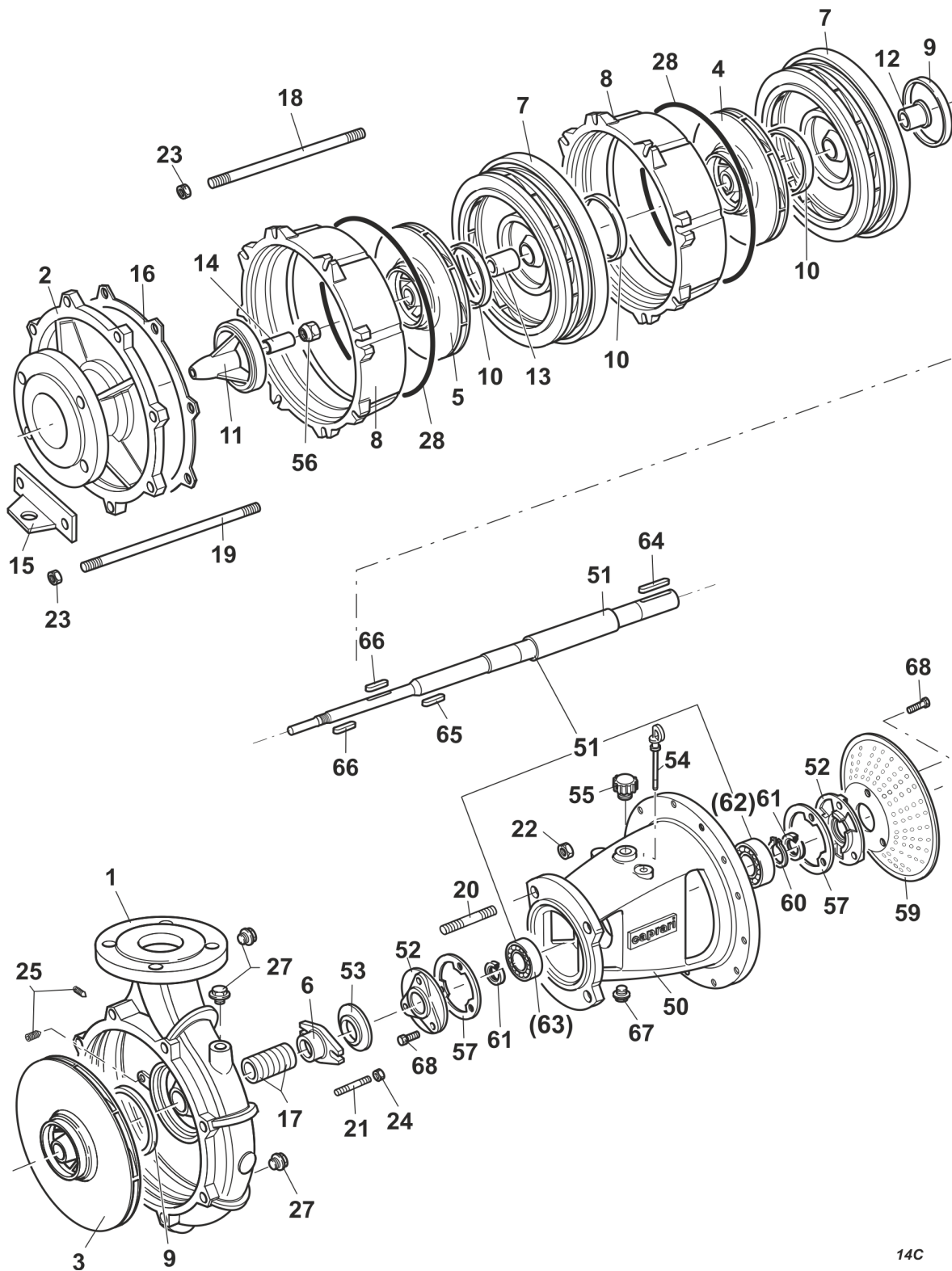


CAPRARI S.p.A

41123 MODENA (ITALY) - VIA EMILIA OVEST, 900
 Tel. +39 059897611 - Fax +39 059 897897
 email: info@caprari.it - www.caprari.com



781017 - MEC-MG80/3A HORIZONTAL PUMP



COMPONENTS LIST

Pos.	Code	Serial N°	Description	Qty
1	400084	MEC80/330-1	DELIVERY CASING	1 PZ
2	400395	MEC80/330-3	SUCTION COVER	1 PZ
3	401076	MEC80MG/330-5A	IMPELLER D.330	1 PZ
4	401075	MEC80MG/260-5A	IMPELLER D.260	1 PZ
5	401075	MEC80MG/260-5A	IMPELLER D.260	1 PZ
6	410633	MEC80/260-8	STUFFING BOX	1 PZ
7	430389	MECM80-73	DIFFUSER	2 PZ
8	430392	MECM80-74	STAGE CASING	2 PZ
9	440538	MEC80/200-165A	WEAR RING	2 PZ
10	440538	MEC80/200-165A	WEAR RING	3 PZ
11	420153	MEC80/260-1029	WEAR RING WITH BEARING BUSH	1 PZ
14	330014	MEC80/260-13	BEARING BUSH	1 PZ
12	410721	MECM80-10	SPACER SLEEVE	1 PZ
13	410721	MECM80-10	SPACER SLEEVE	1 PZ
15	450404	MECM80-207	STAND FEET	1 PZ
16	330737	MEC125/330-141	GASKET FOR SUCTION COVER	2 PZ
17	330347	MEC80/260/B-33	PACKING TYPE:GF7700	7 PZ
18	300572	PS01099	SPECIAL STUD M14X220	8 PZ
19	300575	PS01100	SPECIAL STUD M14X230	2 PZ
20	300367	PN0722	STUD M16(6G/6G)X35 UNI 5909-5.8	4 PZ
21	300394	PN02007	STUD M10(6G/6G)X50 UNI5909	2 PZ
22	310031	DN0724	NUT M16 UNI 5588-6S	4 PZ
23	310028	DN0734	NUT M14 UNI 5588-6S	10 PZ
24	310201	DN01374	NUT M10 UNI5588-A2	2 PZ
25	300745	GC0735	DOWEL M10X12 UNI 5923-12.9	2 PZ
26	310321	RLS0250	WASHER 15X31X3	2 PZ
27	310714	TF01304	PLUG 3/8"GAS CONICAL (AFL N.290/292)	3 PZ
28	330466	OR01000	OR SEAL 329,79X3,53 OR41300 (AP)	2 PZ
50	420305	MECMG80-32	LANTERN BRACKET	1 PZ
51	411270	MEC80MG-B/3-1007	PUMP SHAFT + CSN L.707	1 PZ
60	310554	AE0350	CIRCLIP 35 UNI 7435 FOR SHAFT	1 PZ
62	350113	CSN0943	BEARING 3307/C3	1 PZ
63	350127	CSN02222	BEARING NJ307	1 PZ
52	410672	MEC3A-9	BEARING COVER	2 PZ
53	310836	MEC80/260-18	DEFLECTOR	1 PZ
54	310828	MECMG-26	OIL DIPSTICK	1 PZ
55	310743	MEC1A-28	OIL FILTER PLUG	1 PZ
56	330133	DS02310	NON-STANDARD NUT M24X2X21 UNI7474	1 PZ
57	330825	MEC3A-146	GASKET FOR FLANGE	2 PZ
59	460364	MECMG80/100-240	PTO SHAFT GUARD	1 PZ
61	330259	AT01785	SEAL RING 35x52x7	2 PZ
64	310979	LCH02549	FEATHER KEY A10X8X70 UNI6604-C50	1 PZ
65	310980	LCH02550	FEATHER KEY A8X7X35 (TOL.UNI6604)-C50	1 PZ
66	310980	LCH02550	FEATHER KEY A8X7X35 (TOL.UNI6604)-C50	2 PZ
67	310714	TF01304	PLUG 3/8"GAS CONICAL (AFL N.290/292)	1 PZ
68	300055	VTE0116	SCREW M8X20 UNI 5739-8.8	6 PZ
71	300206	VTT02591	SCREW M6X10 UNI 5931-8.8	2 PZ