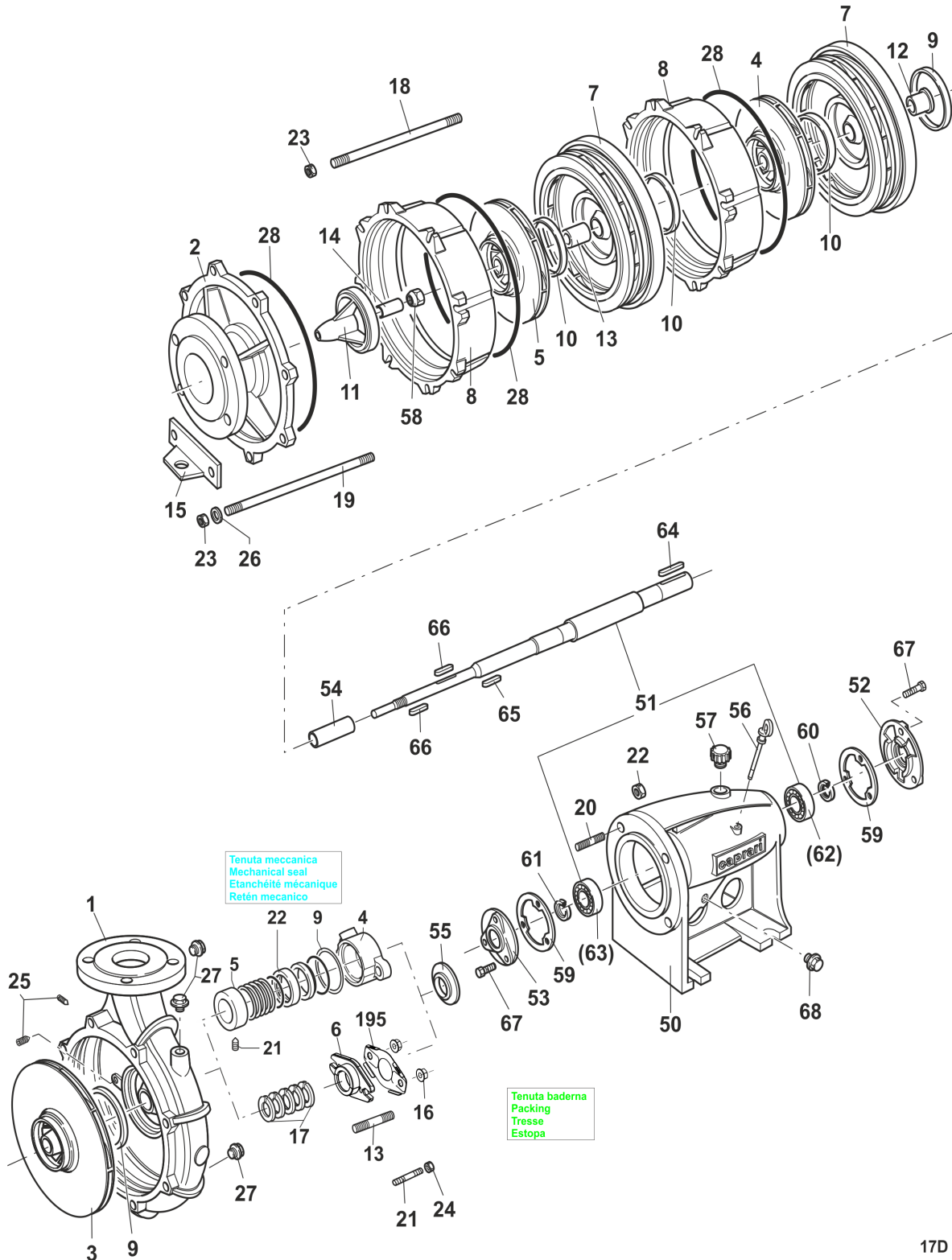


CAPRARI S.p.A

41123 MODENA (ITALY) - VIA EMILIA OVEST, 900
 Tel. +39 059897611 - Fax +39 059 897897
 email: info@caprari.it - www.caprari.com



780171 - MEC-MR65-2/3A HORIZONTAL PUMP



COMPONENTS LIST

Pos.	Code	Serial N°	Description	Qty
1	400027	MECM65-1/260-1	DELIVERY CASING	1 PZ
2	400441	MECM65-1/260-3	SUCTION COVER	1 PZ
3	400790	MECM65-1/260-5A	IMPELLER D.260	1 PZ
4	400807	MEC65/200-5A	IMPELLER D.205	1 PZ
5	400807	MEC65/200-5A	IMPELLER D.205	1 PZ
6	411312	P51-8	STUFFING BOX	2 PZ
7	430384	MECM65-73	DIFFUSER	2 PZ
8	430393	MECM65-74	STAGE CASING	2 PZ
9	440536	MEC65/200-165A	WEAR RING	2 PZ
10	440536	MEC65/200-165A	WEAR RING	3 PZ
11	420150	MEC65/200-1029	WEAR RING WITH BEARING BUSH	1 PZ
14	330011	MEC65/200-13	BEARING BUSH	1 PZ
12	410710	MECM65/2-10	SPACER SLEEVE	1 PZ
13	410720	MECM65-10	SPACER SLEEVE	1 PZ
15	450404	MECM80-207	STAND FEET	1 PZ
17	330345	MEC80/260-33	PACKING	7 PZ
18	300552	PS01627	SPECIAL STUD M12X185 (TO DRAW)	6 PZ
19	300553	PS01626	SPECIAL STUD M12X194 (TO DRAW)	2 PZ
20	300367	PN0722	STUD M16(6G/6G)X35 UNI5909/DIN938-5.8	4 PZ
21	300394	PN02007	STUD M10(6G/6G)X50 UNI5909/DIN938	2 PZ
22	310031	DN0724	NUT M16 UNI5588/DIN934-6S	4 PZ
23	310025	DN0676	NUT M12 UNI5588/DIN934-6S	8 PZ
24	310219	DN0037495	NUT M10 UNI EN20898/2/DIN6923-A2	2 PZ
26	310380	RLS01458	WASHER 13X24X2,5 UNI6592/DIN125/126-F.ZN 3 II	2 PZ
27	310714	TF01304	PLUG 3/8"GAS CONICAL (AFL N.290/292)	3 PZ
28	330463	OR01093	OR SEAL 266,29X3,53 OR41050 (AP)	3 PZ
50	440806	MEC3A-178	PEDESTAL	1 PZ
51	411166	MEC3-2AMR/3-1007	PUMP SHAFT + CSN L.763	1 PZ
62	350087	CSN0940	BEARING 3208/C3 (N.14 BALLS)	1 PZ
63	350113	CSN0943	BEARING 3307/C3	1 PZ
52	410672	MEC3A-9	BEARING COVER	1 PZ
53	410672	MEC3A-9	BEARING COVER	1 PZ
54	410862	MEC3AU-220	SHAFT SPACER SLEEVE	1 PZ
55	310836	MEC80/260-18	DEFLECTOR	1 PZ
56	310817	MEC3A-26	OIL DIPSTICK L=94	1 PZ
57	310743	MEC1A-28	OIL FILTER PLUG	1 PZ
58	330132	DS02309	NON-STANDARD NUT M18X1.5X16 UNI7474 (TO DRAW)	1 PZ
59	330825	MEC3A-146	GASKET FOR FLANGE	2 PZ
60	330263	AT0362	SEAL RING 40X52X7	1 PZ
61	330259	AT01785	SEAL RING 35X52X7	1 PZ
64	310462	LCH0458	FEATHER KEY A10X8X70 UNI6604-C50	1 PZ
65	310434	LCH0760	FEATHER KEY A8X7X35 (TOL.UNI6604)-C50	1 PZ
66	310427	LCH0732	FEATHER KEY A6X6X30 (TOL.UNI6604)-C50	2 PZ
67	300055	VTE0116	SCREW M8X20 UNI5739/DIN933-8.8	6 PZ
68	310714	TF01304	PLUG 3/8"GAS CONICAL (AFL N.290/292)	1 PZ