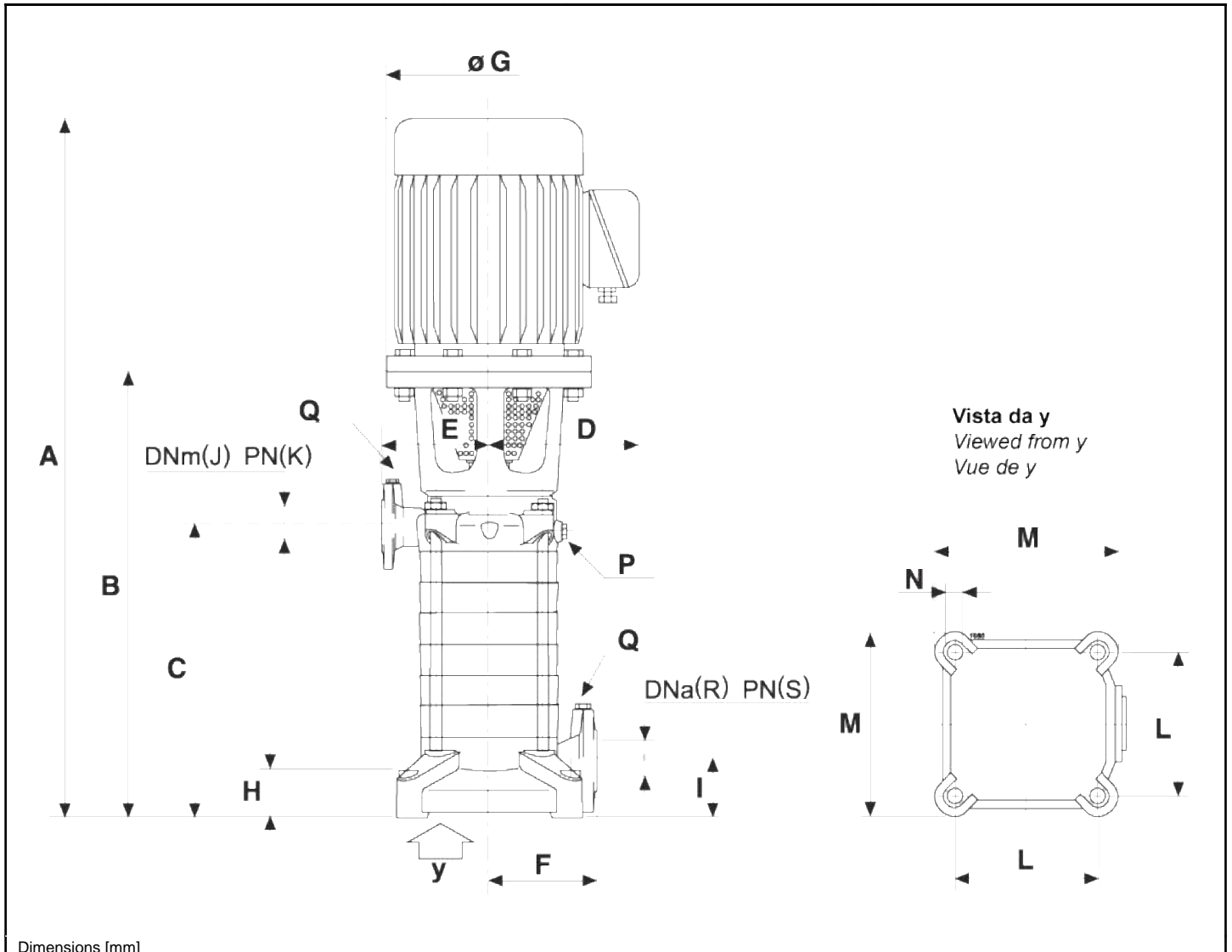


Voltage	400	V	Frequency	50	Hz	Flow rate	-	Prevalenza	-
Power	30	kW	No. poles		2	Model	HVU50/3A+V30300221-V		

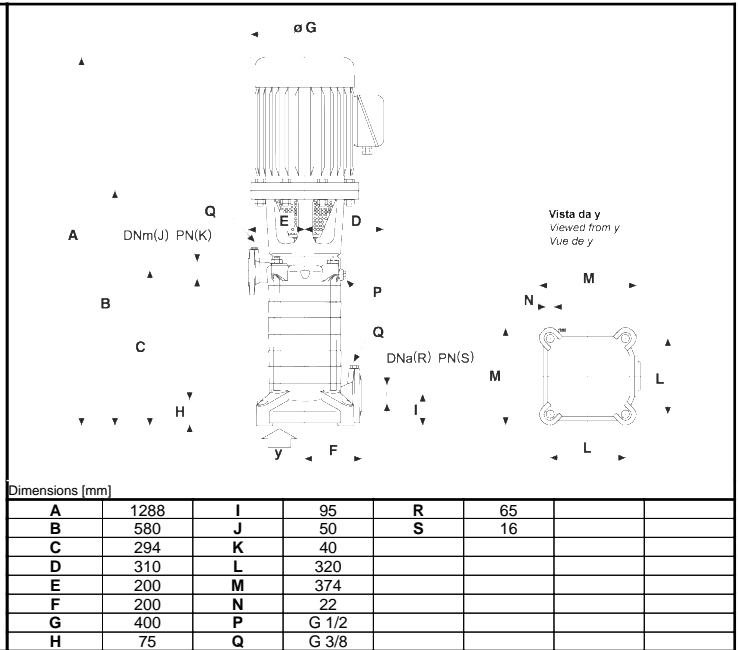
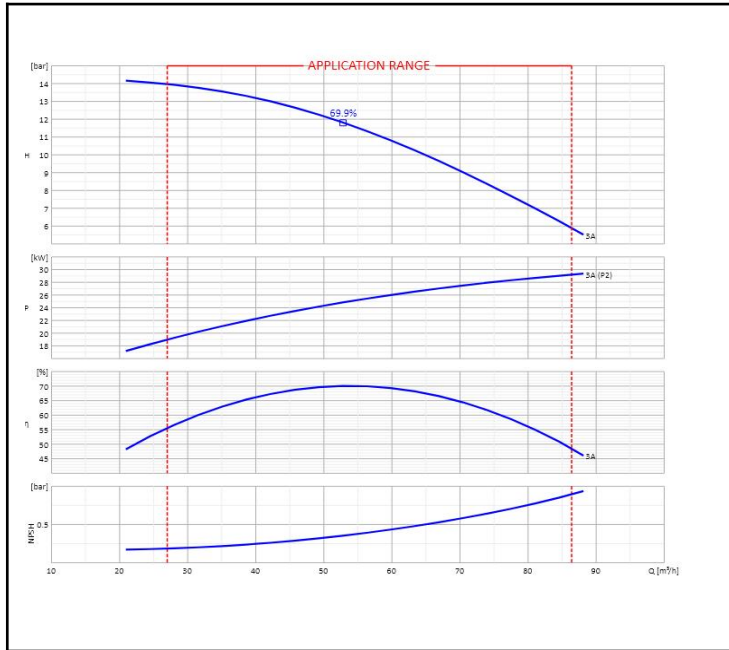


Dimensions [mm]

A	1288			
B	580			
C	294			
D	310			
E	200			
F	200			
G	400			
H	75			
I	95			
J	50			
K	40			
L	320			
M	374			
N	22			
P	G 1/2			
Q	G 3/8			
R	65			
S	16			

OFFER No.	Pos. 1.1	Date 06/11/2019
-----------	-------------	--------------------

Customer:				Ref.:			
Item	1	Quantity	1	Required flow	-	Required head	-
Type	VERTICAL MULTISTAGE ELECTRIC PUMP			Model	HVU50/3A+V30300221-V		



OPERATING DATA - ISO 9906:2012 3B - M.E.I.≥0.40					CONSTRUCTION CHARACTERISTICS		
Q [m³/h]	H [bar]	P [kW]	η [%]	NPSH [bar]	Delivery diameter	50	
					Weight	342	Kg
					No. Stages	3	
					Seal	Packing	
					Type of installation	Vertical	

OPERATING LIMITS			OPERATING CHARACTERISTICS			
pumped liquid	Water		Service flow rate	-		-
Max. temp. of pumped liquid	70°C(std)/90°C(****)		Service head	-		-
Maximum density	1	kg/dm³	Qmin	27	86.4	m³/h
Maximum viscosity	1	mm²/s	H (Q=0)	13.9	13.9	bar
Maximum solid content	20	g/m³	Power consumption at duty point	-		-
Max. number of starts/hr	-		Max. power consumption	29.1		kW
			Pump efficiency	-		-
			Overall efficiency	-		-
			Sense of rotation (*)	Clockwise		
			Number of pumps installed	Operating	Stand-by	
				1	0	

PUMP MATERIALS		ELECTRIC MOTOR CHARACTERISTICS			
Delivery casing	Cast iron	Brand			
Suction casing	Cast iron	Model	V303002T26V12001		
Impeller	Stainless steel	Nominal power	30	kW	
Pump shaft	Stainless steel	Rated frequency	50	Hz	
Stuffing box	Cast iron	Rated voltage	400	V	
Bearing bush	Bronze	Rated current	52.7	A	
Lantern bracket	Cast iron	No. Poles	2	2955	1/min
Rigid coupling	Cast iron	Efficiency 4/4 - 3/4	93.3 - 93.4 %		
Shaft coupling	Steel	Power factor 4/4 - 3/4	0.88		
Diffuser	Cast iron	Type of motor	3 ~		
Casing	Cast iron	Is/In	7.6	2.4	
Shaft sleeve	Stainless steel	Protection class	IP55		
Protective casing	Steel/PE	Insulation class	F		
Packing	Graphited cord	Thermal protection	PTC		
		Efficiency class	IE3		

Notes:	(*) View from electric motor side		
OFFER No.	Pos. 1.1	Date 06/11/2019	